

# 36" Fan Conversion Kit—#27736

for updating #8300 Crated Fans

## Introduction

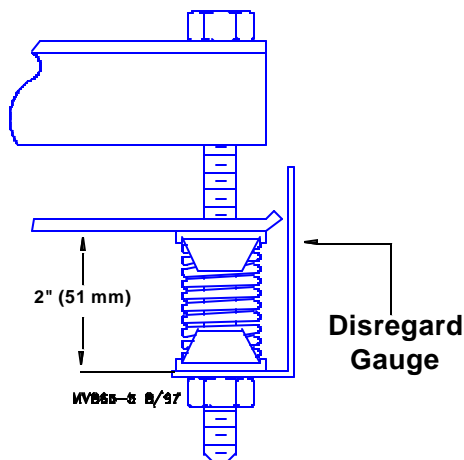
The #27736 36" Fan Conversion Kit will update (1) #8300 36" Crated Fan to provide improved air performance similar to that of the #27150 Belt Drive Fan. The conversion kit includes a 36" Fan Blade Assembly, Shaft Pulley, Belt, (2) keys, (4) cable ties, and (8) staple nails.

## Conversion Instructions

1. Disconnect electrical supply to the fan.
2. Remove the front cover, screen, or shutter.
3. Remove the two set screws in hub, and slide Blade Assembly off of the shaft.
4. Position the new Blade Assembly flush to the end of the shaft. Secure using the provided two set screws, and key, if shaft has a keyway.
5. Reinstall the front cover, screen, or shutter. Staple nails are provided to secure the front screen (if used).
6. Cut cable ties to remove the back screen.
7. If the motor mount uses a single spring, loosen the belt tensioning spring on the motor mount.
8. Remove the belt.
9. Replace existing shaft pulley with new shaft pulley supplied.  
A 3/16x1" sq. key and set screw has been supplied to secure the shaft pulley in place.
10. Install the new belt.
11. Tighten the belt tensioning spring(s), if adjustable. The diagram at right, shows the approximate height of spring compression required for the motor mount utilizing a single spring.
12. Replace the back screen and secure in place using cable ties supplied.
13. Reconnect electrical supply to fan.

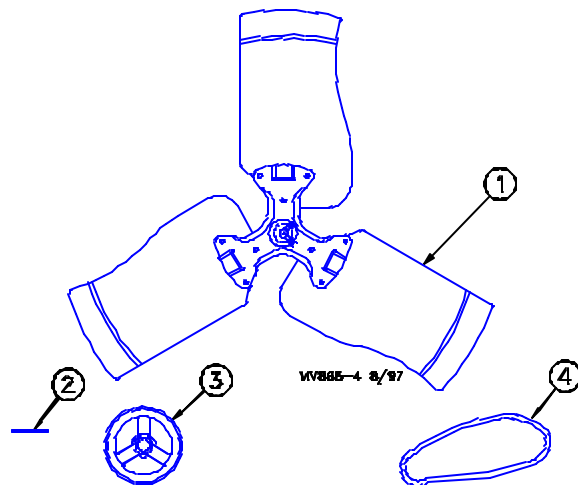
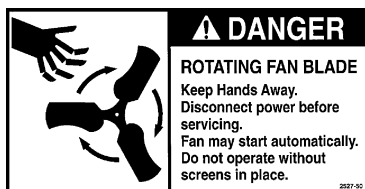
**IMPORTANT**  
**Disconnect Electrical Supply**  
**Prior to Beginning Installation.**  
**The Fans May Start**  
**Automatically Causing Serious**  
**Injury or Damage to Equipment.**

### Single Spring Motor Mount



### The #27736 36" Fan Conversion Kit includes:

Item	Description	Part No.
1	Blade Assembly	29736
2	3/16"x1" Key	2112-1
3	Shaft Pulley (5")	27737
4	Belt	27738
--	Cable Ties	6635
--	Staple Nails	27739



CTB Inc.

P.O. Box 2000 • Milford, Indiana 46542-2000 • U.S.A.

Phone (219) 658-4101 • Fax (800) 333-4191

E-Mail: [ctb@ctbinc.com](mailto:ctb@ctbinc.com) • Internet: <http://www.ctbinc.com>