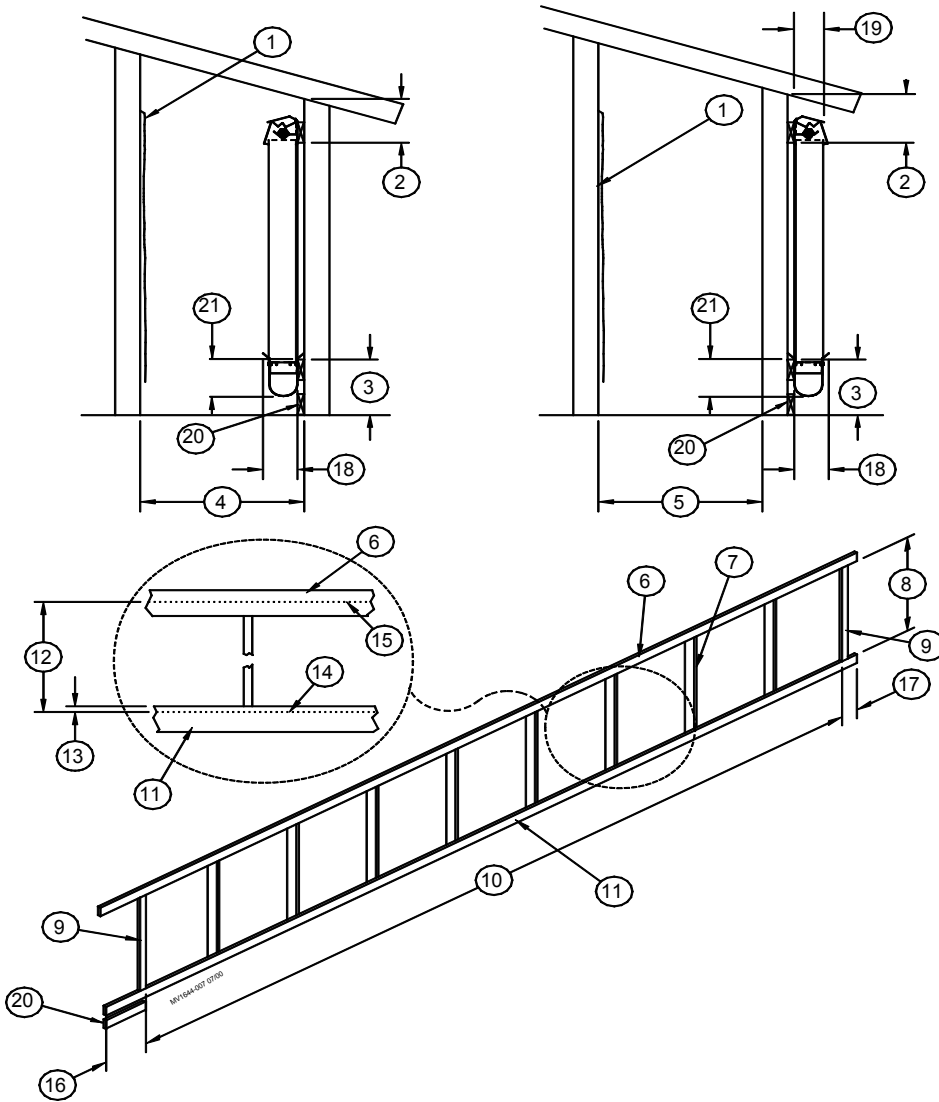


Turbo-Cool High Wind Top Cover Lock Installation  
Kit P/N 49770

1. Disconnect power and remove the Top Covers on current systems.
2. Chalk a line 2.5" above the Top Stringer Chalk Line (item 15 ). See figure 1.



Item	Description	Item	Description
1	Curtain	12	Pad Height plus 2-3/4" [70 mm]
2	6.5" [165.1 mm] Minimum Clearance	13	1-1/4" [32 mm]
3	14-1/2" [368 mm] Minimum Clearance	14	Bottom Stringer Chalk Line
4	30" - 36" [762 - 914 mm] Walkway	15	Top Stringer Chalk Line
5	6" [152 mm] Minimum Clearance	16	19" [432 mm] for Sump Assembly
6	2 x 6" [38 x 140 mm] Top Stringer	17	6" [152 mm] for Trough End Insert
7	Wall Studs	18	7-1/2" [191 mm]
8	Pad Height less 1-1/2" [38 mm]	19	6" [152 mm]
9	End Framing	20	2 x 6 Sump Back Support
10	Width of Pad Bank	21	Minimum Trough Clearance 9-1/4" [23.5 mm]
11	2 x 6" [38 x 140 mm] Bottom Stringer	22	

Figure 1

3. Center the Top Cover Stop Mounting Plate on the new chalk line between a set of Pipe Hangers and lag to the stinger using the supplied 5/16X1.50 Lag Screw. See figure 2.



Figure 2

4. Reinstall a Top Cover and lock it into place with the Top Cover Stop and supplied 5/16 Flange Nuts. See figure 3 below.



Figure 3

5. Repeat bracket installation procedure for each Top Cover.
6. Reconnect power if necessary.