



Evaporative Cooling Trough Foot Installation Manual

Thank You

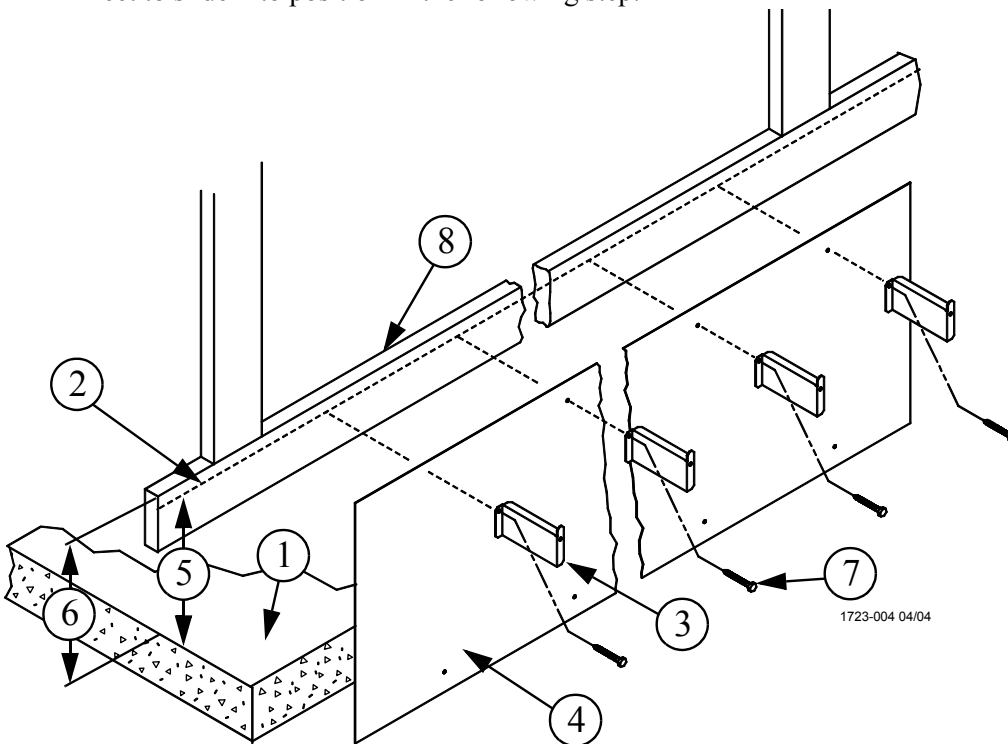
The employees of CTB Inc. would like to thank you for your recent purchase. If a problem should arise your distributor can supply the necessary information to help you.

The Evaporative Cooling Trough Feet are designed to take some of the weight of an Evaporative Cooling system off of a structure and distribute it evenly to the ground. There are two sizes of Trough feet; Long ones (**Kit No. 49323**) are used if the Sump is sitting on the Concrete pad, and shorter ones (**Kit No. 49337**) are used if your Sump is sitting off the Concrete pad. Kits contain hardware and Supports for 25 Trough Feet.

Trough Feet Installation

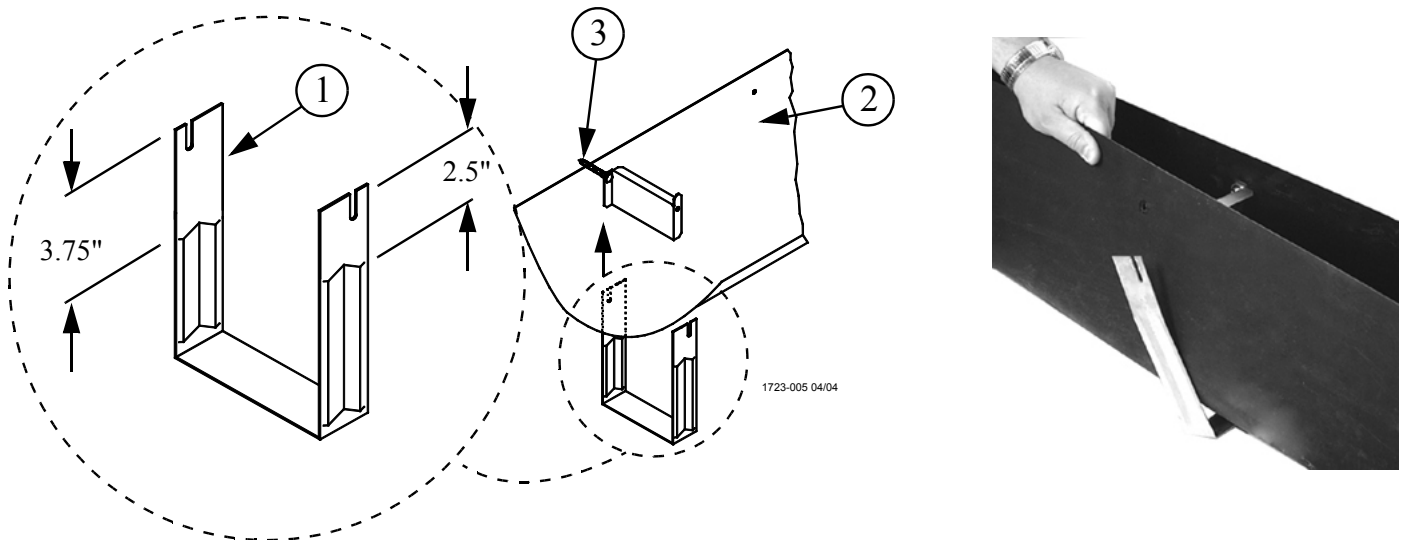
The Trough Feet should be installed at the same time as the Trough Hangers. For more detail on how the Trough Hangers are installed see the Evaporative Cooling Installation and Operators Manual that came with your system.

If using Short Trough Feet, the distance between the top of the Bottom Stringer and the top of the Concrete Pad should be $9\text{-}1/4" \pm 1/2"$ [23.5 cm \pm 1.27 cm] (**See Figure below**). Make a Chalk-line on the Bottom Stringer 8" [20.3 cm] above the top of the Concrete Slab. If using Long Trough Feet, locate the Bottom Stringer so that the top of the Bottom Stringer is $14\text{-}1/2" \pm 1/2"$ [36.83 cm \pm 1.27 cm] above the top of the Concrete Slab. Make a Chalk-line $13\text{-}1/4"$ [33.7 cm] above the Concrete Slab. Use $1/4 \times 1\text{-}1/2"$ Lag Screws to attach the Trough Supports and Trough Material to the Bottom Stringer on the the Chalk-line **as shown**. Leave the Lag Screws loose to allow the Trough Feet to slide into position in the following step.



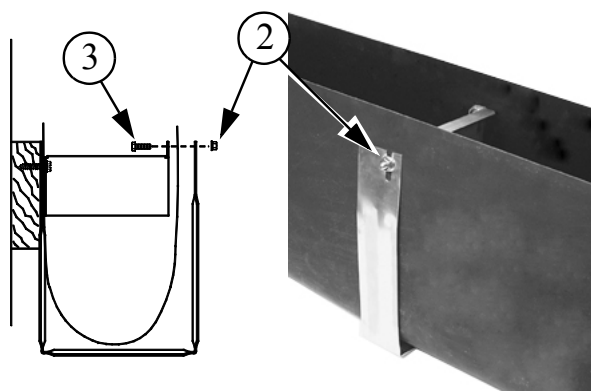
Item	Description
1	Concrete Slab
2	Chalk-Line
3	Trough Hanger
4	Trough Material
5	8" [20.3 cm] from Slab to Chalk-line (Kit No. 49337)
	13-1/4" [33.7 cm] from Slab to Chalk-line (Kit No. 49323)
6	9-1/4" \pm 1/2" [23.5 cm \pm 1.27 cm] from Slab to top of the Bottom Stringer (Kit No. 49337)
	14-1/2" \pm 1/2" [36.83 cm \pm 1.27 cm] from Slab to the top of the Bottom Stringer (Kit No. 49323)
7	Lag Screw
8	Bottom Stringer

Trough Feet can be installed at every other Trough Hanger or at every Hanger if desired. The Trough Feet are not symmetrical and can only be installed one way. One side of a Trough Foot has 3.75" between the end and where it is crimped, and the other end has 2.5" (See Figure below). With the 3.75" side toward the structure, pull the Trough Material up out of the way and slide the Trough Foot up until the slot engages with the 1/4 x 1-1/2" Lag Screw. Making sure the Trough Foot is resting on the Concrete Pad, tighten down the Lag Screw.

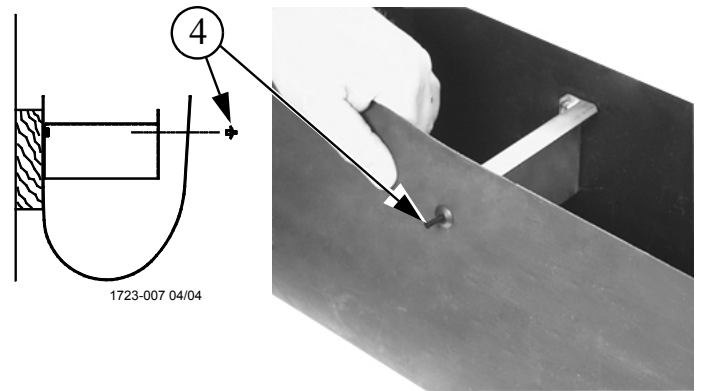


Item	Description
1	Trough Foot
2	Trough Material
3	1/4 x 1-1/2" Lag Screw

Line up the Slot in the Trough Feet, the hole in the Trough Material, and the hole in the Trough Bracket and Fasten with a 1/4 x 20 Flange Bolt and Nut found in the Parts Package. (Figure below). If you are installing Trough Feet at every other Trough Bracket then use a Rivet to Fasten the Trough Material to the Trough Brackets that do not get Trough Feet. (Figure Below)



Locations where Trough Feet are used



Locations where Trough Feet are **Not** used

Item	Description
1	Trough Foot
2	1/4-20 SS Hx Serrated Flange Nut
3	1/4-20 HH SS Bolt
4	Rivet

CTB Inc.
 P.O. Box 2000 • Milford, Indiana 46542-2000 • U.S.A.
 Phone (574) 658-4101 • Fax (877) 730-8825
 E-Mail: ctb@ctbinc.com • Internet: <http://www.ctbinc.com>