

Curtain Potentiometer

Installation Manual

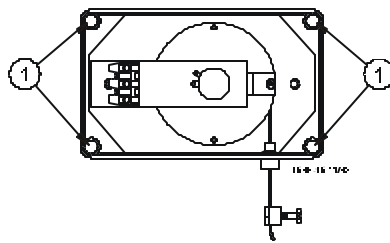
Part Number 40666



The Chore-Time Curtain Potentiometer is used in conjunction with the Chore-Time Chore-Tronics Controllers. The Curtain Potentiometer is used as a measuring device, telling the Chore-Tronics controller the position of the Curtain.

Installation:

Mount the Curtain Potentiometer to the wall close to the Curtain Cable. The Curtain Potentiometer has a maximum cable extension length of 60" (1524 mm).



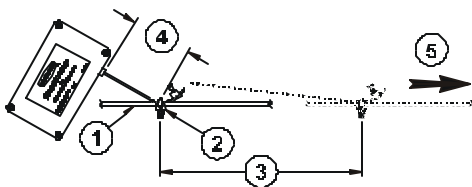
Item	Description
1	Mounting Hole Location

Figure 1. Curtain Potentiometer Cable extension length

Attach the Curtain Potentiometer Cable to the Curtain Cable or the Pulley (not supplied) with a cable clamp (not supplied). The Pulley is used to increase the length of travel for the Curtain Potentiometer for Curtains longer than 60" (1524 mm).

1:1 Ratio

Curtains up to 60" (1524 mm)



2:1 Ratio

Curtains 60" (1524 mm) to 120" (3048 mm)

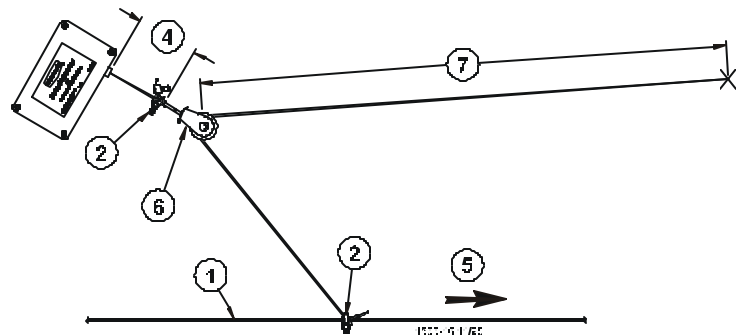


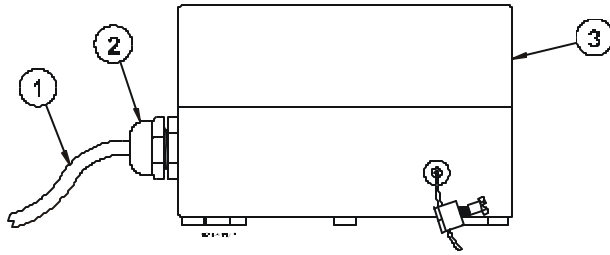
Figure 2. Attaching Curtain Potentiometer Cable to Curtain Cable

Item	Description
1	Curtain Cable
2	Cable Clamp
3	60" (1524 mm) Maximum
4	4" (102 mm) Maximum

Item	Description
5	Curtain Cable Direction of Travel
6	Pulley (not supplied)
7	1/2 Maximum Curtain Cable Travel 60" (1524 mm) Maximum

Wiring:

Chore-Time recommends the use of a watertight connector (not supplied) on the control cord (not supplied) connected to the Curtain Potentiometer. Drill a hole the appropriate size for the watertight connector through one side of the Curtain Potentiometer Box and install the control cord and watertight connector.



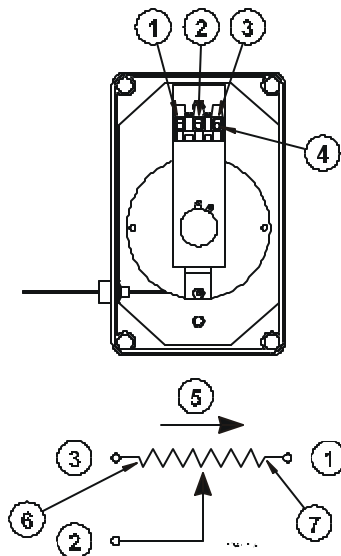
Item	Description
1	Power Cord
2	Watertight Connector
3	Curtain Potentiometer

Figure 3. Power Cord and Watertight Connector installed

Connect the wires to the Terminal Block as shown in **Figures 4-6**. The connections will vary according to the direction of travel of the Curtain Cable.

- The resistance range of the Curtain Potentiometer is from 0 to 10 k ohms.
- The resistance across the white and black leads is at the maximum when fully retracted.
- The resistance across the white and red leads is at the maximum when fully extended.
- Curtain Potentiometer rotation is defined as the turning direction when viewed from the shaft side of the potentiometer (from the bottom side of the plastic box).
- The Chore-Tronics™ controllers read increasing resistance equals Curtain closing.

See **Figures 5 and 6** for the correct connections for the house the Curtain Potentiometer is installed in.



Item	Description
1	Red Wire
2	White Wire (common)
3	Black Wire
4	Terminal Block
5	Clockwise Rotation
6	Cable Fully Extended
7	Cable Fully Retracted

Figure 4. Connecting the Wires

For situations where the Potentiometer Cable retracts when the Curtain is opening and the Potentiometer Cable extends when the Curtain is closing, connect the controller to the **white and red leads**.

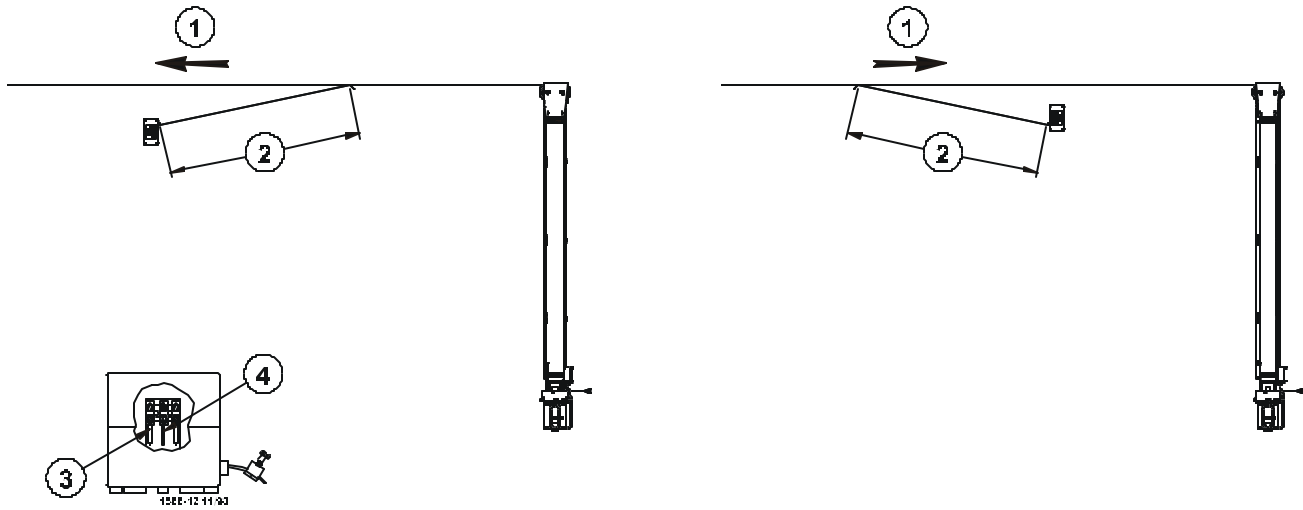


Figure 5. Potentiometer Cable retracts on opening

Item	Description
1	Direction for Curtain Opening
2	60" (1524 mm) Maximum Travel
3	Red Wire Connection
4	White Wire Connection

For situations where the Potentiometer Cable extends when the Curtain is opening and the Potentiometer Cable retracts when the Curtain is closing, connect the controller to the **white and black leads**.

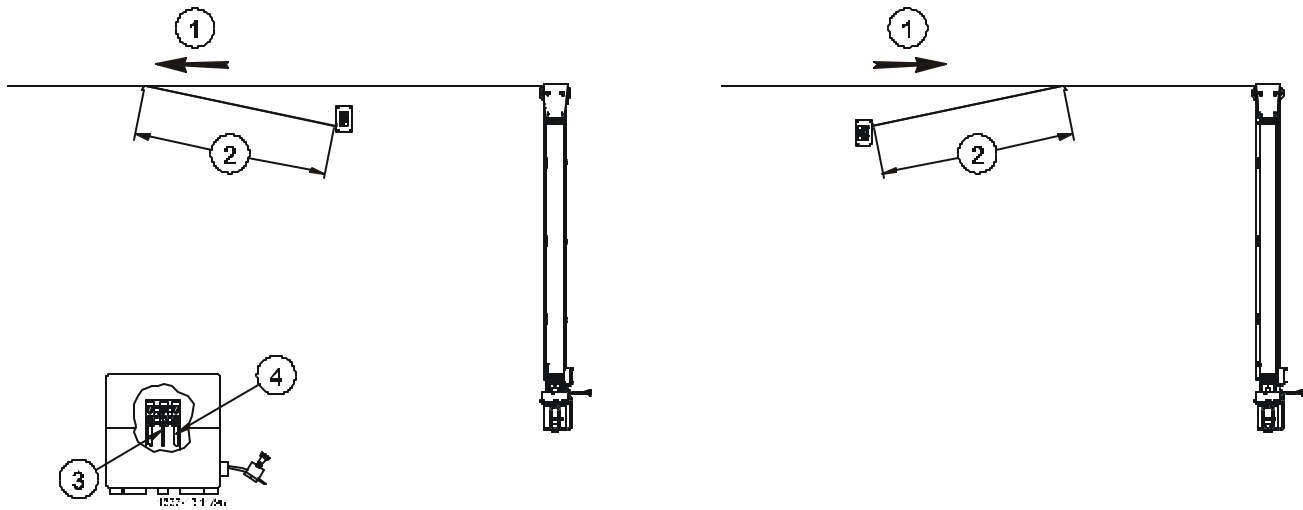
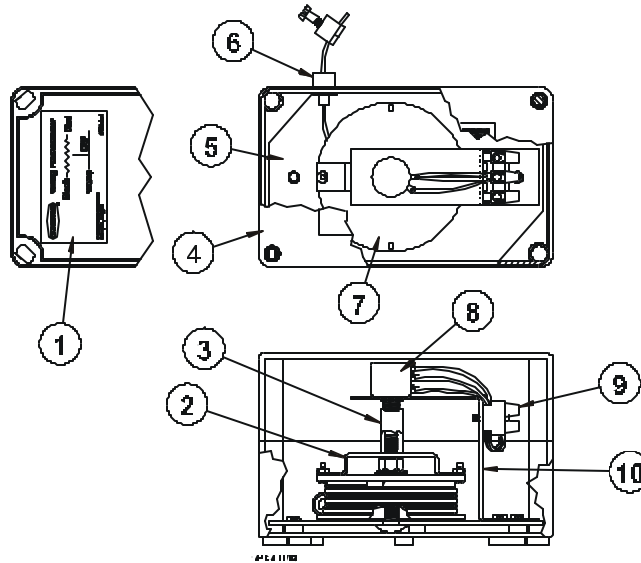


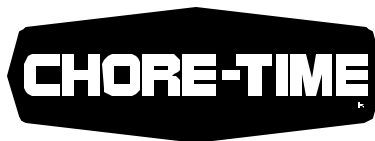
Figure 6. Potentiometer Cable extends on opening

Item	Description
1	Direction for Curtain Opening
2	60" (1524 mm) Maximum Travel
3	White Wire Connection
4	Black Wire Connection

Parts List



Item	Description	Part No.
1	Potentiometer Wiring Decal	2529-641
2	Potentiometer Reel Bracket Assembly	40668
3	1/4" Hose Coupler	40667
4	Electrical Box	41499
5	Potentiometer Base	40612
6	Cable Guide	41428
7	Cable Reel	40610
8	10 Turn Potentiometer	40611
9	Terminal Strip	34925-3
10	Potentiometer Holder	40613



**Made to work.
Built to last.**