



SENSOR PLUS™ Drop Tube Switch with Heater

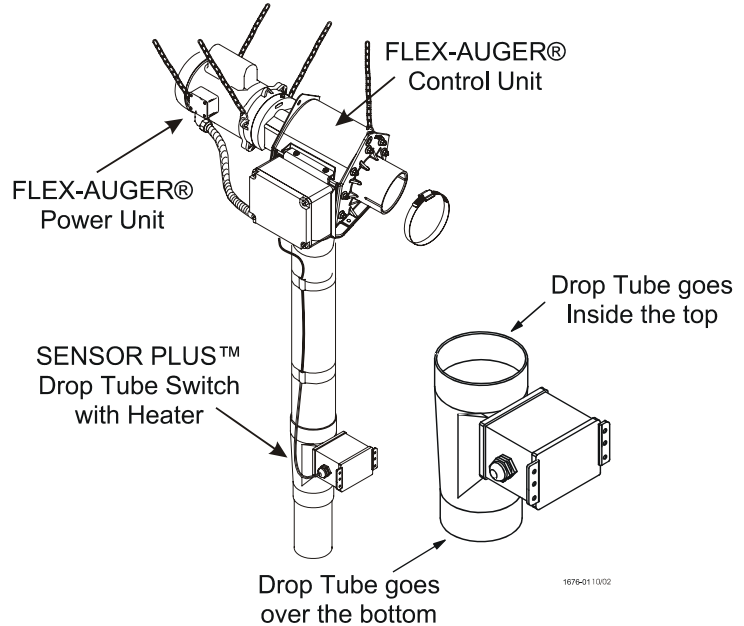
Part Number 46316

Introduction

The SENSOR PLUS™ Drop Tube Switch with Heater has been designed to work with the Model 55, 75, 90, and HMC FLEX-AUGER® Fill Systems.

The SENSOR PLUS™ Drop Tube Switch with Heater has a built in heater to dissipate moisture around the sensor.

The SENSOR PLUS™ Drop Tube Switch with Heater can be installed to the Control Unit Funnel or in-line on the Drop Tube.

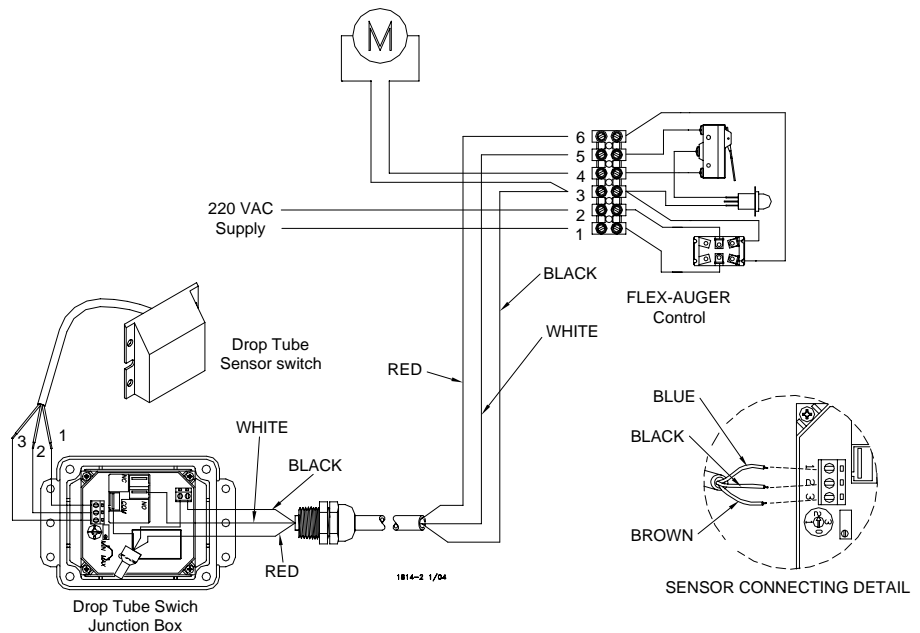


Wiring Diagram

All wiring must be done by a qualified electrician in accordance with local and national codes.

See diagram at right.

1. "RED" wire from Drop Tube Switch to terminal number 6 in the FLEX-AUGER Control.
2. "BLACK" wire from Drop Tube Switch to terminal number 3 in the FLEX-AUGER Control.
3. "WHITE" wire from Drop Tube Switch to terminal number 5 in the FLEX-AUGER Control.



46316 DROP TUBE SWITCH WIRING DIAGRAM

Chore-Time Poultry Production Systems, a Division of CTB, Inc.

P.O. Box 2000 • Milford, Indiana 46542-2000 • U.S.A.

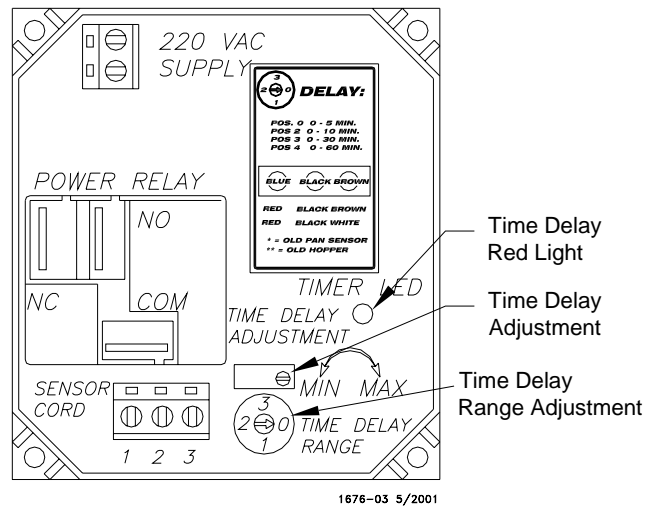
Phone (574) 658-4101 • Fax (877) 730-8825

E-Mail: poultry@choretime.com • Internet: www.choretimepoultry.com

Time Delay Adjustment

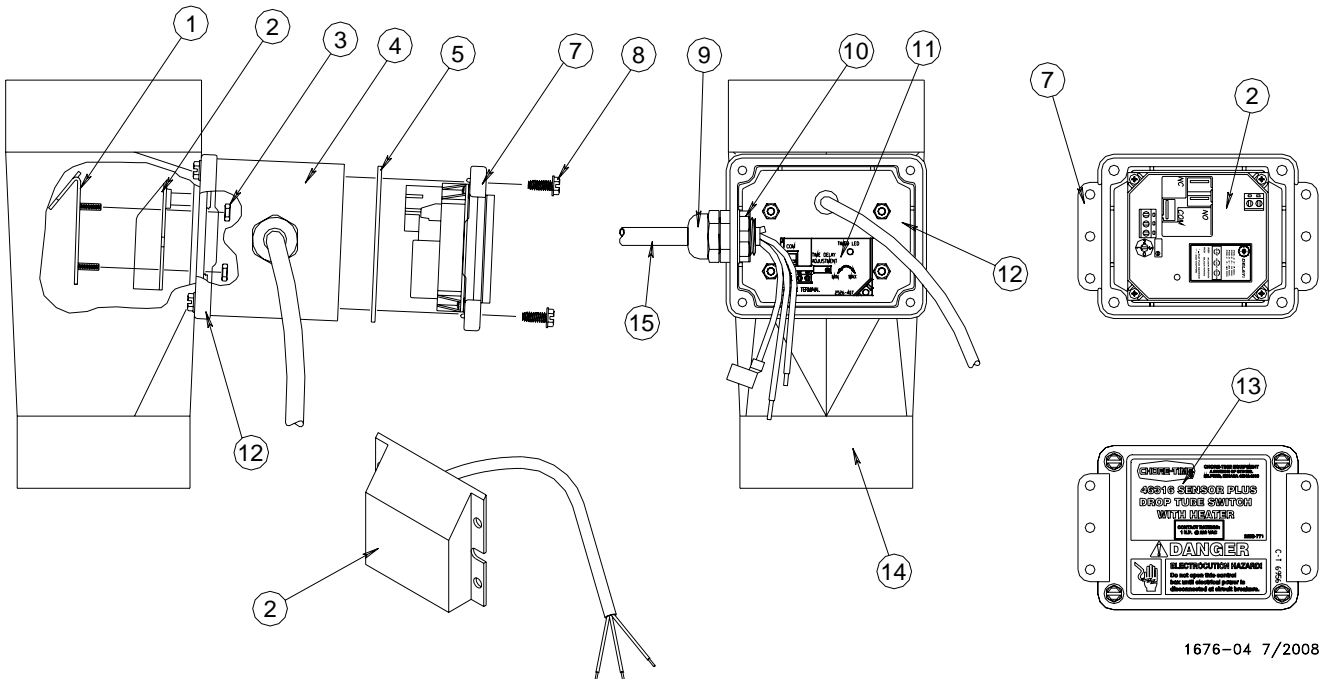
The time delay is set at the factory at 10 to 15 seconds.

- Select a time delay range for the SENSOR PLUS switch. The ranges are:
 - 0 to 5 minutes
 - 0 to 10 minutes
 - 0 to 30 minutes
 - 0 to 60 minutes
- With power applied, locate the Time Delay Red Light in the junction box. A slow blinking light means that the time delay is long.
- Turning the Time Delay Adjustment counter-clockwise will shorten the time delay and make the light blink faster, turning the Time Delay Adjustment clockwise will lengthen the time delay and make the light blink slower.



1676-03 5/2001

SENSOR PLUS™ Drop Tube Switch Parts List



1676-04 7/2008

Item	Description	Part No.
1	Sensor Retainer	51055
2	Switch, Sensor Plus Level Ass'y w/Heater	48579
3	#6-32 Nut	771
4	Machined Junction Box	42627-1
5	Gasket	6777
6	---	---
7	Junction Box Bottom Cover	6956
8	#10 Screw	28075

Item	Description	Part No.
9	1/2" Water Tight Connector	23779
10	Plastic Conduit Lock Nut	43662
11	Adjustment Decal	2526-409
12	Machined Junction Box Cover	42611
13	Danger/Product Identification Decal	2529-771
14	Drop Tube Housing	46315
15	Cord Assembly	4999-106