



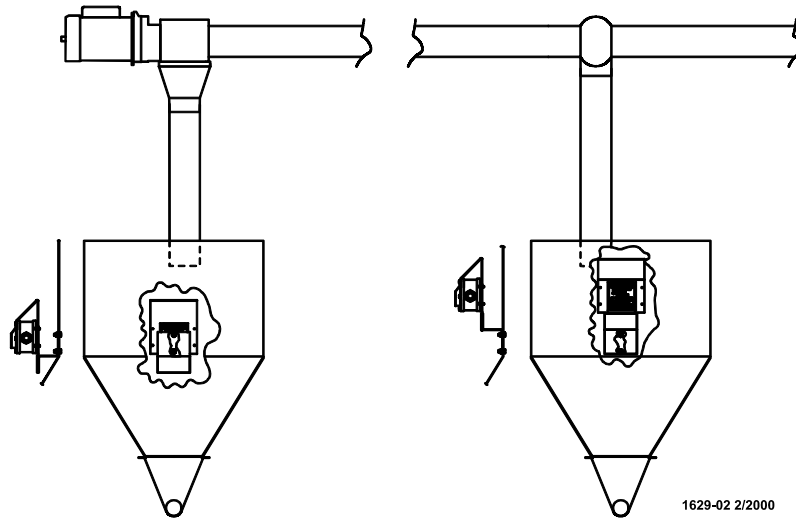
E.S.Hopper Level Control Part Number 55426

Introduction

The E.S. Hopper level control is designed for use with any conveying system that carries free flowing feed. The control automatically starts and stops the fill system as the feed level against the sensor changes.

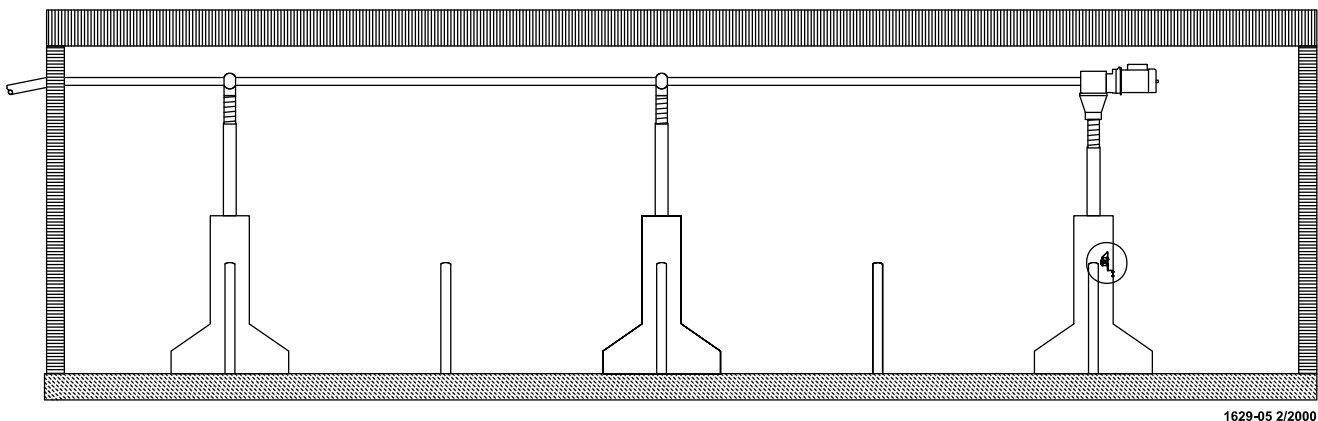
Poultry Application

Note: In poultry applications, switches may be placed in more than one hopper to assure that no hopper empties before the control unit hopper requires feed. All switches must be wired in parallel so any one switch can start the system.



Hog Application

Note: In most hog installations, the control is installed in the last hopper which is located at the end of the delivery system.



CTB, Inc.

P.O. Box 2000 • Milford, Indiana 46542-2000 • U.S.A.

Phone (574) 658-4101 • Fax (877) 730-8825

E-Mail: poultry@choretime.com • Internet: www.choretimepoultry.com

Installation

Install the control in the last hopper which is located at the end of the delivery system. **Mount it low so the feed level will be lower in that hopper than in the others.** The lower feed level will cause the system to start frequently enough to maintain the feed level in every hopper and provide a reservoir for the feed in the fill system if another hopper calls for feed. Position the feed drop tube to deliver feed to the center and near the top of the hopper, in front of the sensor. Position the drop tubes and switches high in the other hoppers so they fill but do not overflow.

Mount the hopper level control vertically, as shown in **Figure 1**. Drill two 9/32" [7.2 mm] holes at the desired location. Use the bracket as a guide to determine the hole spacing. Fasten the bracket in place with the supplied hardware. Install the control in the mounting bracket assembly. The control may be removed for switch adjustment or for house clean-out.

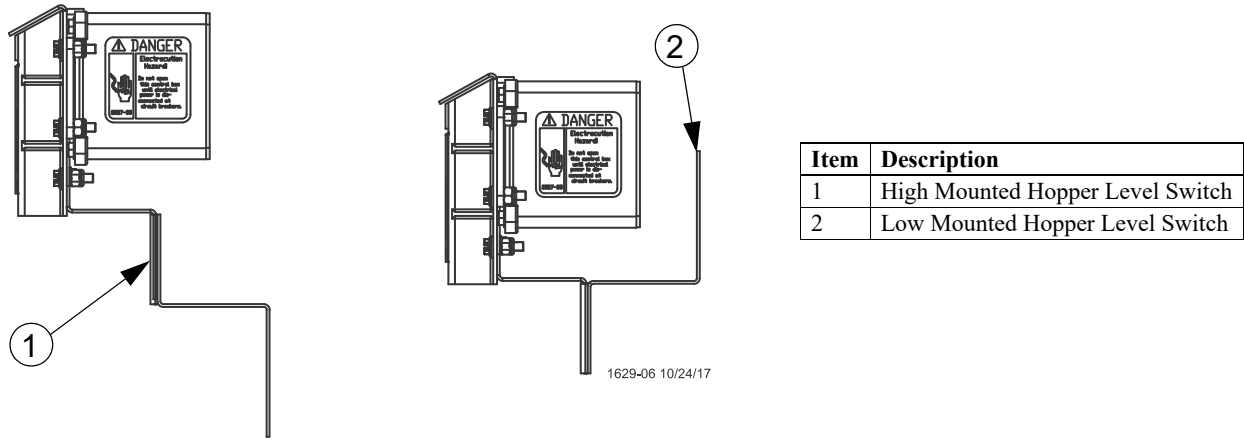


Figure 1. Hopper Level Control Mounted Vertically

Switch Adjustment

The E.S. hopper level switch is adjusted at the factory to a delay of 15 seconds. The delay may be changed for a specific installation.

To adjust the time delay:

- For less time: Turn time delay adjustment screw counter-clockwise (light blinks faster)
- For more time: Turn time delay adjustment screw clockwise (light blinks slower)

Time delay adjustable from 3 seconds to 10 minutes.

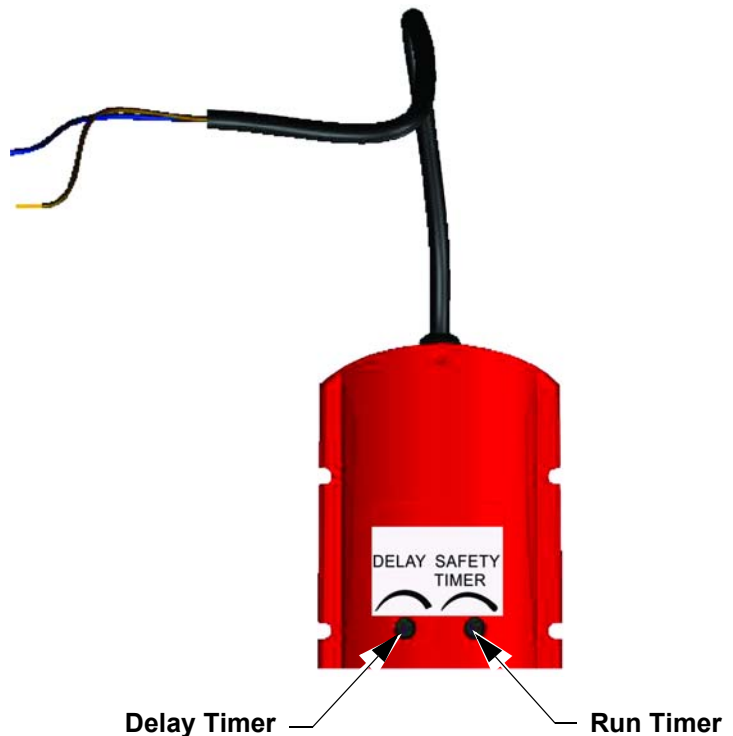


Figure 2. Adjusting the proximity switch

Wiring

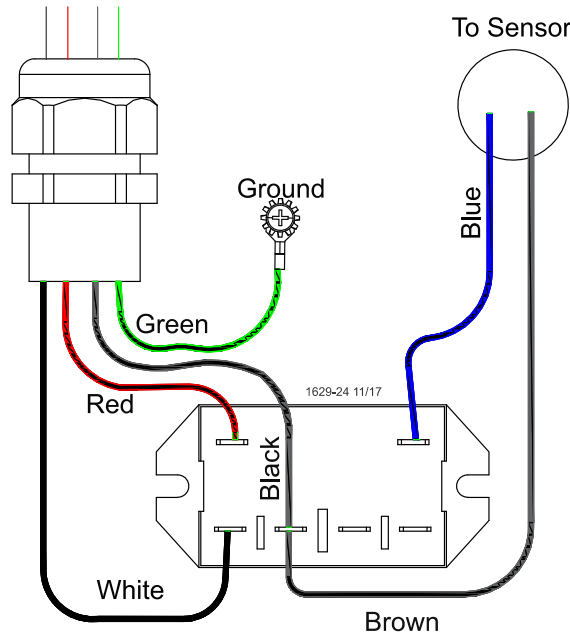


Danger: Electrical Hazard

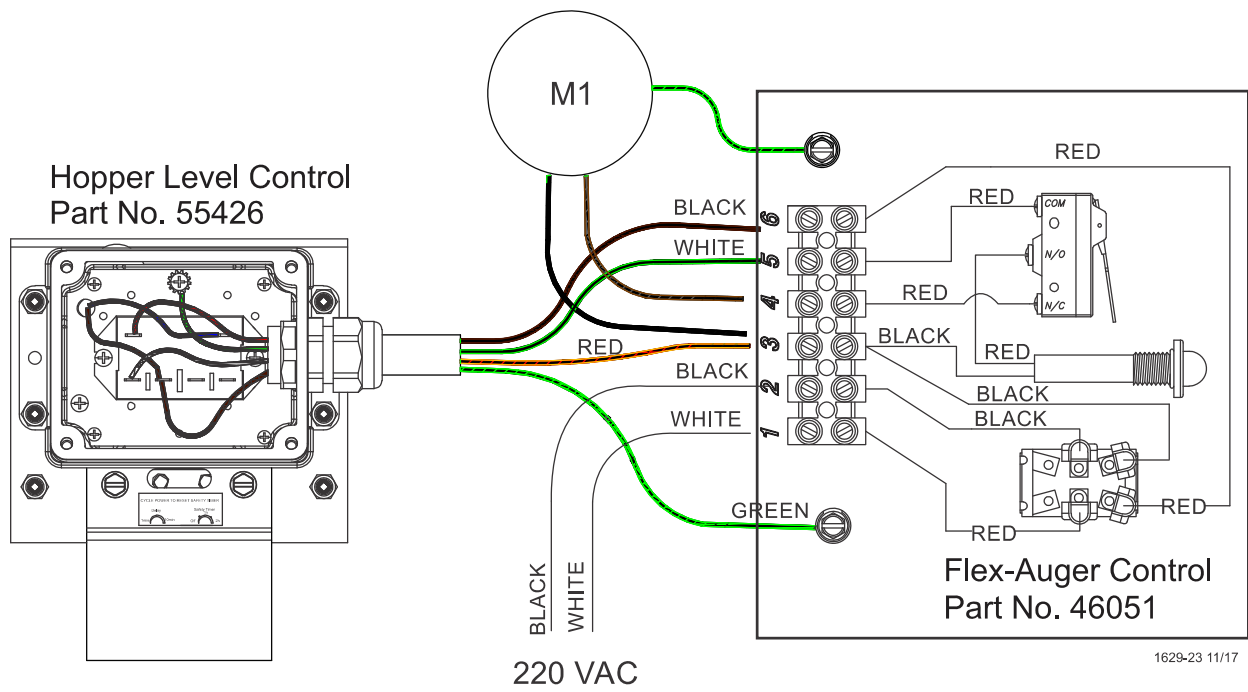
Disconnect all electrical power before inspecting or servicing equipment.
Ground all electrical equipment for safety.

All wiring must be done by a qualified electrician in accordance with local and national codes. Internal Wiring

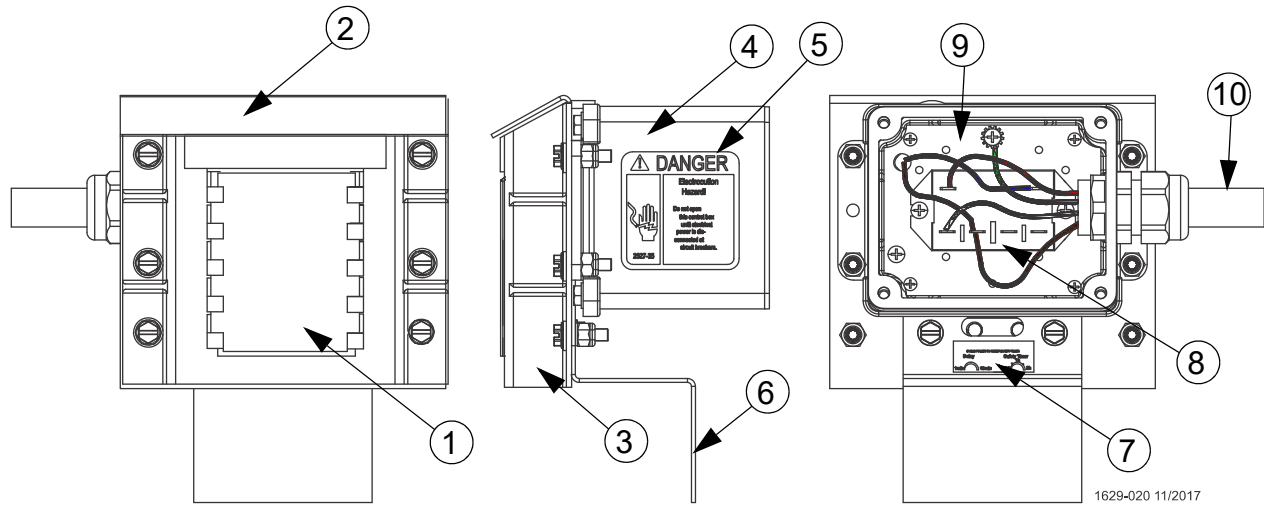
To Flex Auger Control



Wiring to the Fill System Control Unit



55426 ES Hopper Level Switch Parts List



Item	Description	Part No.
1	Pan Sensor	54670
2	Sensor Back	55429
3	Es Switch Holder	56096
4	Box, General Purpose	42627-1
5	Danger Decal	2527-25
6	Mount Bracket	2911
7	Adjustment Decal	2526-559
8	Omron Relay	28904
9	Rear Mount Panel	52316

Item	Description	Part No.
10	Cord Assembly	4999-101
11		
12		
13		
14		
15		
16		
17		
18		

MADE TO WORK.

BUILT TO LAST.®

Revisions to this Manual

Page No.	Description of Change	ECO
	Various Changes to update manual to show newer Hopper Level Control (55426)	33340

Contact your nearby Chore-Time distributor or representative for additional parts and information.

CTB, Inc.
 PO Box 2000
 Milford, Indiana 46542-2000 USA
 Phone (574) 658-4101 Fax (877) 730-8825
 E-mail: poultry@choretime.com
 Internet: www.choretimepoultry.com