

# 13722 Clean-Out Valve Kit

For use with the 6093 Upper Boot

The 13722 Clean-Out Valve Kit provides the capability of reclaiming feed left in the bin.

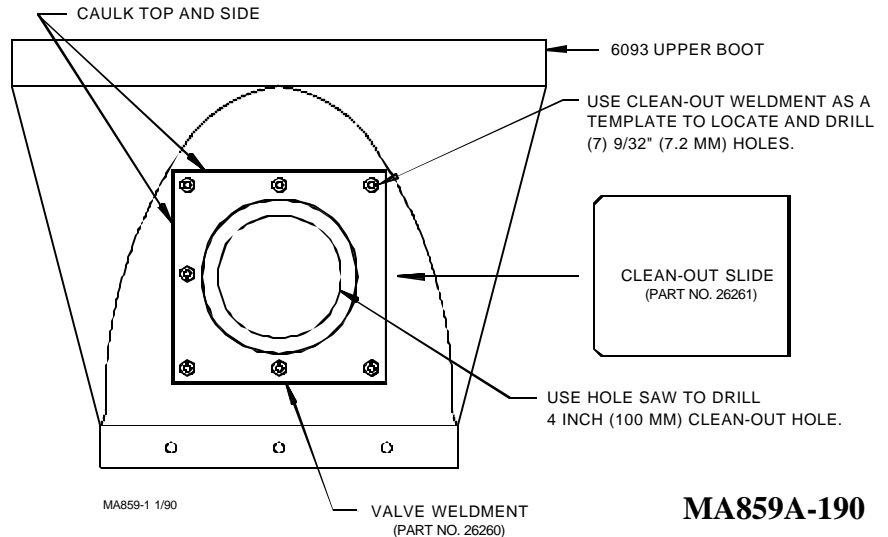
Tools required to install the Clean-Out Valve Kit include; regular head screwdriver, box end wrenches, electric drill, 9/32" drill bit, 4" hole-saw, caulk and caulk gun.

The Clean-Out Valve Kit may be mounted on either side of the boot (not on the front or back of the boot). Notice the Valve Weldment should be mounted as high on the flat portion of the boot as possible, as shown in the figure at right.

The Clean-Out Slide should operate horizontally, as shown, not vertically.

To install:

1. Use the Valve Weldment to locate and mark proper hole locations for the (7) 9/32" mounting holes and the 4" clean-out hole.
2. Drill the mounting holes and clean-out hole.
3. Fasten the Valve Weldment to the boot, using the 1/4-20 hardware supplied. The truss heads should be inside the boot.
4. Insert the Clean-Out Slide as shown.
5. Caulk top and side as shown.



Contact your nearby Chore-Time distributor or representative for additional parts and information.

Chore-Time Equipment, A Division of CTB, Inc.  
P.O. Box 2000, Milford, Indiana 46542-2000 U.S.A.

Printed in the



# 13722 Clean-Out Valve Kit

For use with the 6093 Upper Boot

The 13722 Clean-Out Valve Kit provides the capability of reclaiming feed left in the bin.

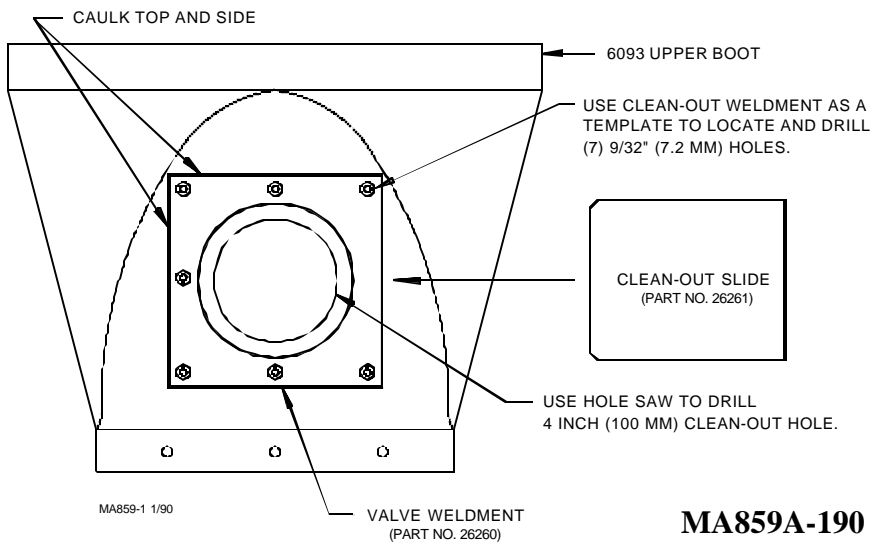
Tools required to install the Clean-Out Valve Kit include; regular head screwdriver, box end wrenches, electric drill, 9/32" drill bit, 4" hole-saw, caulk and caulk gun.

The Clean-Out Valve Kit may be mounted on either side of the boot (not on the front or back of the boot). Notice the Valve Weldment should be mounted as high on the flat portion of the boot as possible, as shown in the figure at right.

The Clean-Out Slide should operate horizontally, as shown, not vertically.

To install:

1. Use the Valve Weldment to locate and mark proper hole locations for the (7) 9/32" mounting holes and the 4" clean-out hole.
2. Drill the mounting holes and clean-out hole.
3. Fasten the Valve Weldment to the boot, using the 1/4-20 hardware supplied. The truss heads should be inside the boot.
4. Insert the Clean-Out Slide as shown.
5. Caulk top and side as shown.



Contact your nearby Chore-Time distributor or representative for additional parts and information.

Chore-Time Equipment, A Division of CTB, Inc.  
P.O. Box 2000, Milford, Indiana 46542-2000 U.S.A.

Printed in the