



# SENSOR PLUS™ Drop Tube Switch with Heater

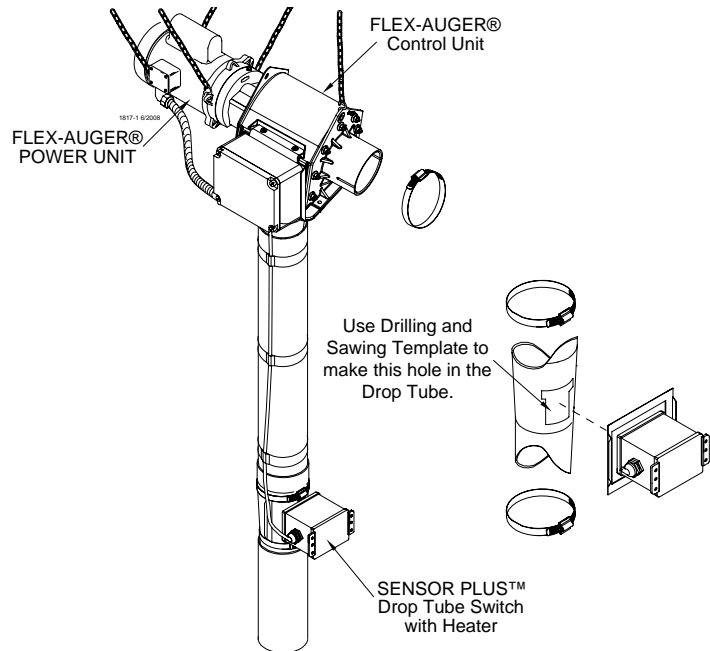
Part Number 49260

## Introduction

The SENSOR PLUS™ Drop Tube Switch with Heater has been designed to work with the Model 55, 75, 90, HMC and 108 FLEX-AUGER® Fill Systems.

The SENSOR PLUS™ Drop Tube Switch with Heater has a built in heater to dissipate moisture around the sensor.

The SENSOR PLUS™ Drop Tube Switch with Heater can be installed in-line on the Drop Tube. A drilling and sawing template is provided for cutting a mounting hole into the drop tube. See page 3 for template.



## Installation

Locate the desired point for the switch to be placed on the drop tube or telescoping drop tube, then tape the drill and saw template to that location. Proceed to drill and saw as specified on the template to remove the tube wall under the shaded area of the template.

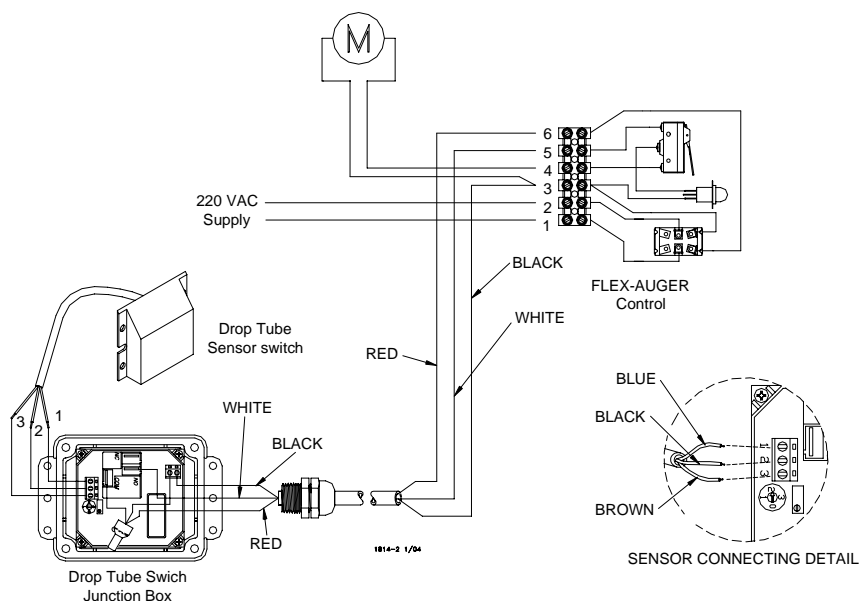
With the sloped side of the sensor facing upwards, insert the sensor side of the switch assembly in the hole that was just created. Wrap the sides of the frame around the drop tube and place an adjustable clamp at the top and bottom of the frame then tighten securely.

Wire the switch to the control unit following the diagram provided. See page 1.

## Wiring Diagram

See diagram at right.

1. "RED" wire from Drop Tube Switch to terminal number 6 in the FLEX-AUGER Control.
2. "BLACK" wire from Drop Tube Switch to terminal number 3 in the FLEX-AUGER Control.
3. "WHITE" wire from Drop Tube Switch to terminal number 5 in the FLEX-AUGER Control.



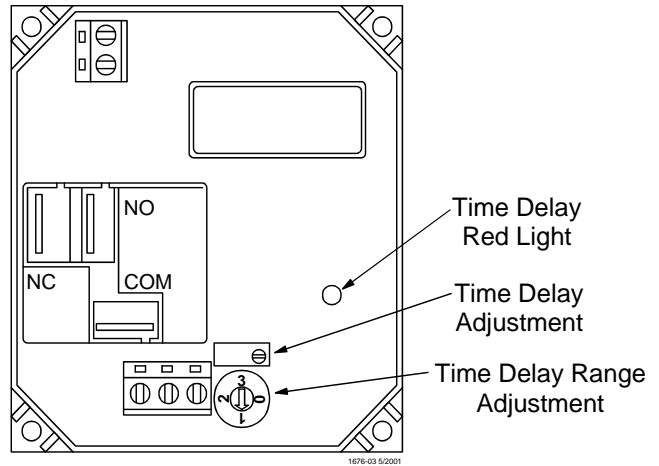
49260 Drop Tube Switch Wiring Diagram

Chore-Time Poultry Production Systems, A Division of CTB, Inc.  
P.O. Box 2000 • Milford, Indiana 46542-2000 • U.S.A.  
Phone (574) 658-4101 • Fax (877) 730-8825

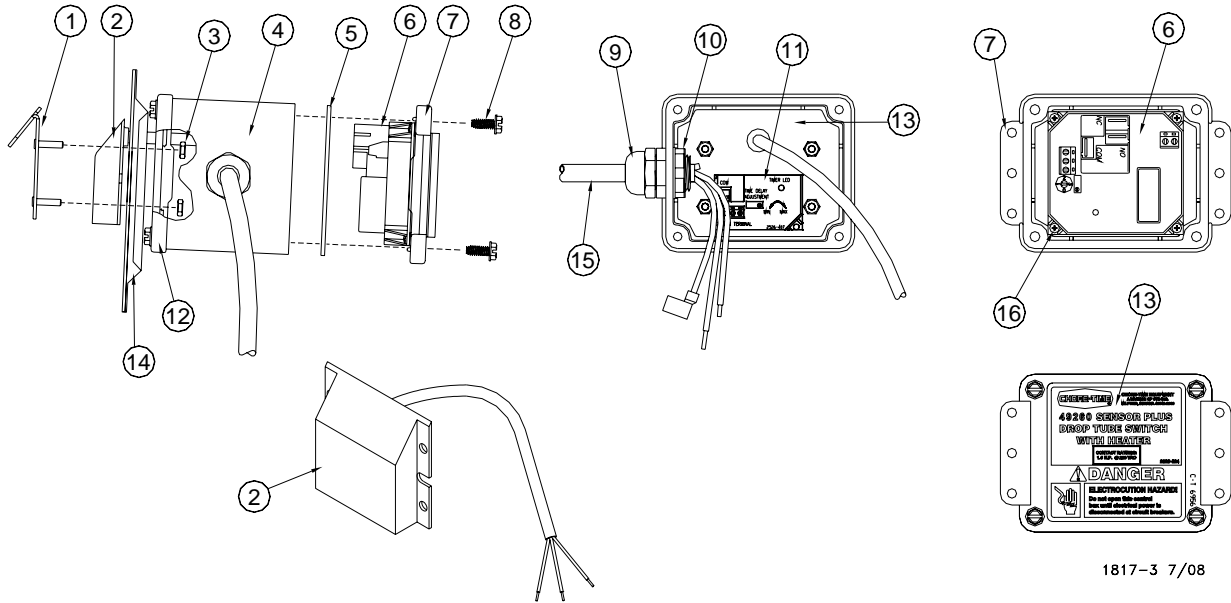
## Time Delay Adjustment

The time delay is set at the factory at 10 to 15 seconds.

1. Select a time delay range for the SENSOR PLUS™ switch. The ranges are:
  - 0 0 to 5 minutes
  - 1 0 to 10 minutes
  - 2 0 to 30 minutes
  - 3 0 to 60 minutes
2. With power applied, locate the Time Delay Red Light in the junction box. A slow blinking light means that the time delay is long.
3. Turning the Time Delay Adjustment counter-clockwise will shorten the time delay and make the light blink faster, turning the Time Delay Adjustment clockwise will lengthen the time delay and make the light blink slower.



## SENSOR PLUS Drop Tube Switch Parts List

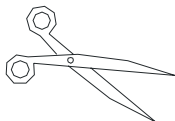


1817-3 7/08

Item	Description	Part No.
1	Sensor Retainer & Deflector	51055
2	Machined Sensor with Heater	48579
3	#6-32 Nut	771
4	Machined Junction Box	42627-1
5	Gasket	6777
6	Sensor Plus Circuit Board with Heater	48579
7	Junction Box Bottom Cover	6956
8	#10 Screw	28075

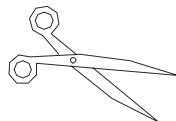
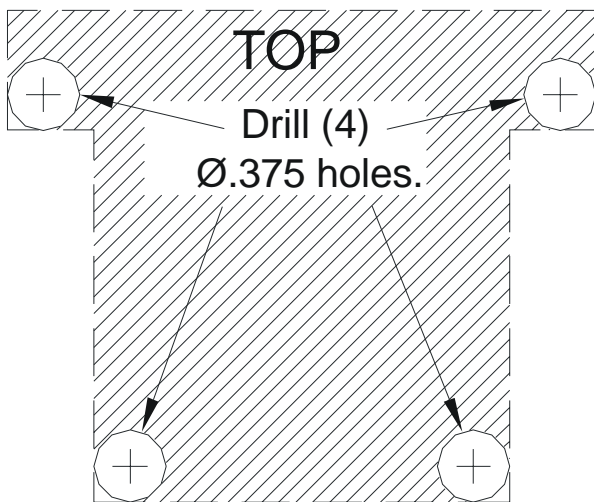
Item	Description	Part No.
9	1/2" Water Tight Connector	23779
10	Plastic Conduit Lock Nut	43662
11	Adjustment Decal	2526-409
12	Machined Junction Box Cover	42611
13	Danger/Product Identification Decal	2529-824
14	Frame-Seal Assembly	49263
15	Cord Assembly	4999-106
16	#6 Screw	35493

## Drill and Saw Template



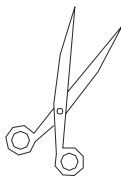
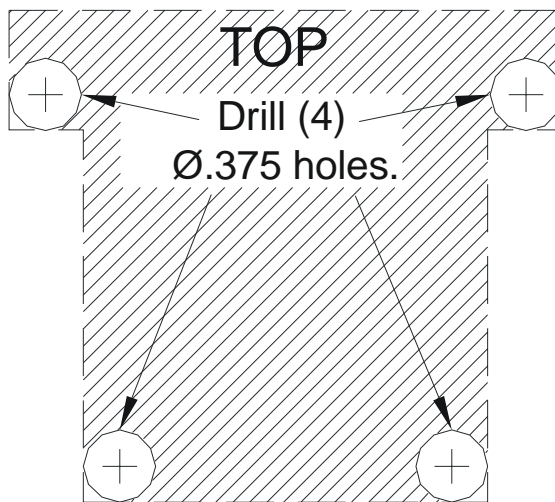
### Drill and Saw Template For 1932 (3.172") Drop Tube

Place vertically at desired location on Drop Tube. Drill and Saw, or cut to remove shaded area of the tube wall.



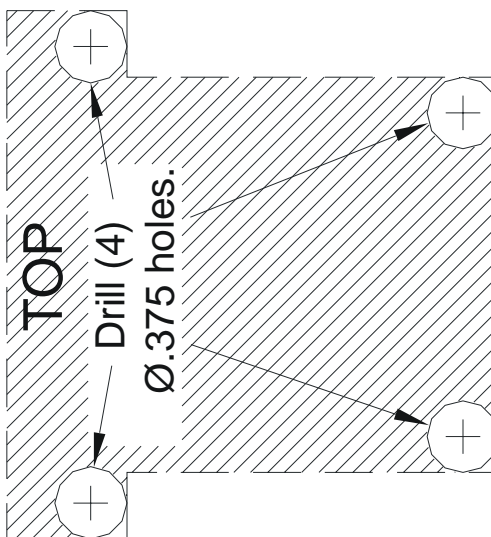
### Drill and Saw Template For 6381 (3.800") Drop Tube

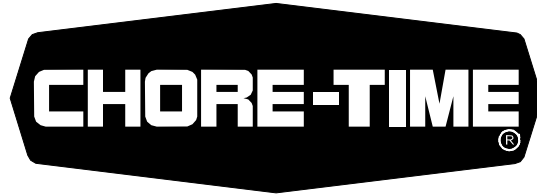
Place vertically at desired location on Drop Tube. Drill and Saw, or cut to remove shaded area of the tube wall.



### Drill and Saw Template For 9900 (4.970") Drop Tube

Place vertically at desired location on Drop Tube. Drill and Saw, or cut to remove shaded area of the tube wall.





**MADE TO WORK.**

**BUILT TO LAST.®**

Contact your nearby Chore-Time distributor or representative for additional parts and information.

**CTB Inc.**  
**P.O. Box 2000 • Milford, Indiana 46542-2000 • U.S.A.**  
**Phone (574) 658-4101 • Fax (800) 333-4191**  
**E-mail: [poultry@choretime.com](mailto:poultry@choretime.com) • Internet: [www.choretimepoultry.com](http://www.choretimepoultry.com)**

**Printed in the U.S.A.**