



HEATSTAR AG

HSU GAS UNIT HEATERS

SIMPLE OPERATION, EFFICIENT AND EFFECTIVE CONVECTION WORKSHOP HEAT

Natural gas space heaters from PigTek and Heatstar AG* offering reliable, versatile heat.

Add year-round comfort for:

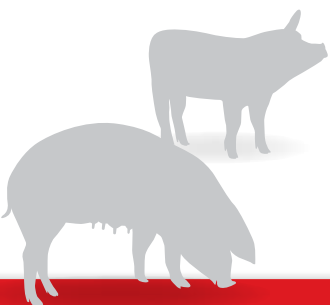
- > Agricultural buildings
- > Farm workshops
- > Storage facilities
- > Greenhouses
- > Metal buildings
- > Warehouses
- > Residential/commercial garages

All units are natural gas heaters with propane conversion kit included. Conversion should be done by a certified installer. Detailed instructions are included.

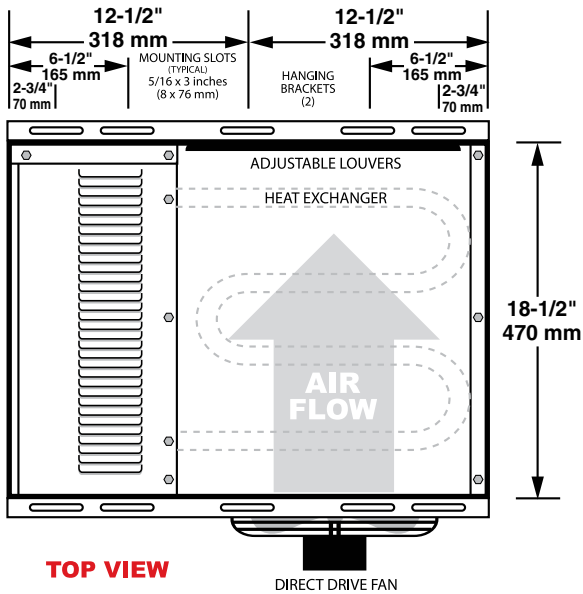
HSU gas unit heater features:

- > 50,000, 80,000, 125,000, 200,000, 250,000, 300,000, 400,000 BTU/hr. (12,600, 20,200, 31,500, 50,400, 63,000, 75,600, 100,800 kcal/hr.) models available
- > Requires only one-inch (25-mm) clearance from ceiling
- > Spark ignition – self diagnostic
- > CSA certified

Approved for residential and commercial use



HSU GAS UNIT HEATERS

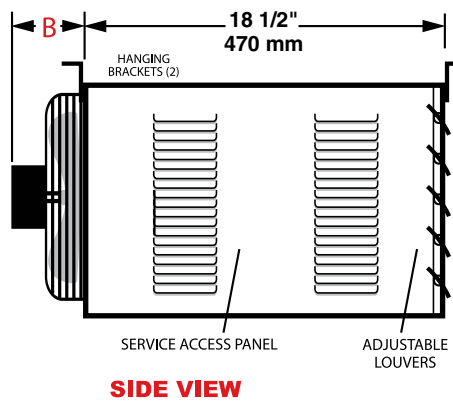
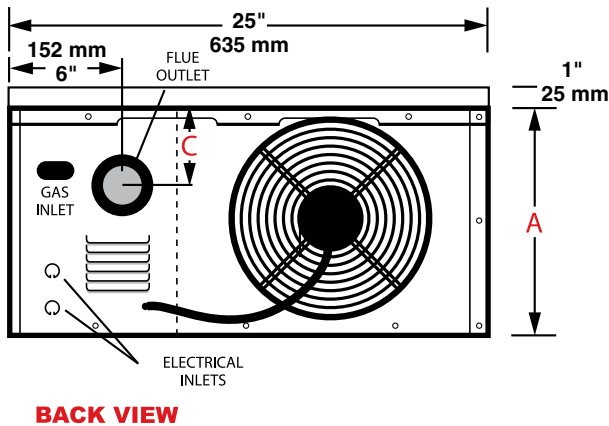


Easy Installation & Operating Versatility

- HSU50, HSU80, HSU125 Easily installs from ceiling with two angle brackets (included)
- HSU200, HS250, HSU300, HSU400 Easily installs using 3/8" (9.5 mm) -16 threaded rods
- Power exhaust allows for vertical or horizontal venting
- Designed for right or left side venting
- Easy outside access for thermostat connections

Built-In Reliability

- Alumined tubular heat exchanger for maximum efficiency and longer life
- Spark ignition – features self-diagnostic control module
- Limited three-year warranty on parts and burner
- Limited 10-year warranty on heat exchanger



	HSU50	HSU80	HSU125
A	12" (305 mm)	17" (432 mm)	25.5" (648 mm)
B	5.5" (140 mm)	6.5" (165 mm)	8.5" (216 mm)
C	4.25" (108 mm)	6.75" (171 mm)	9.75" (248 mm)

	HSU200	HSU250	HSU300	HSU400
A	24.8" (630 mm)	24.8" (630 mm)	30.3" (770 mm)	38.6" (980 mm)
B	4" (102 mm)	4" (102 mm)	4" (102 mm)	4" (102 mm)
C	10.16" (258 mm)	10.16" (258 mm)	12.95" (329 mm)	17.48" (444 mm)

Specifications & Technical Data

Technical Data	HSU50	HSU80	HSU125	HSU200	HSU250	HSU300	HSU400
Stock Number	F160551	F160561	F160491	F162000	F162500	F163000	F164000
Heating Area (SQ. FT / SQ. M)	1,250 / 116	2,000 / 186	3,125 / 290	6,700 / 623	8,400 / 780	10,000 / 929	13,400 / 1245
Total Input (BTU per hr. / KCAL per hr.)†	50,000 / 12,600	80,000 / 20,200	125,000 / 31,500	200,000 / 50,400	250,000 / 63,000	300,000 / 75,600	400,000 / 100,800
Air Volume (CFM / CMHR)	750 / 1274	950 / 1614	1,550 / 2633	3,377 / 5738	3,435 / 5836	4,507 / 7657	5,763 / 9791
Temperature Rise (F / C)	45 / 7.2	60 / 15.6	60 / 15.6	45 / 7.2	55.3 / 12.9	50.6 / 10.3	52.7 / 11.5
Max. Mounting Height (floor to bottom of unit FT / M)	10 / 3.0	12 / 3.7	12 / 3.7	18 / 5.5	18 / 5.5	21 / 6.4	21 / 6.4
Shipping Weight (LBS / KG)	63 / 29	91 / 41	120 / 54	190 / 86	195 / 88	245 / 111	297 / 135
Net Weight (LBS / KG)	56 / 25	79 / 36	108 / 49	175 / 79	180 / 82	227 / 103	280 / 127
Horsepower	0.05	0.1	0.333	0.872	0.872	1.34	1.34
Amps @ 115V/1PH/60Hz	1.7	4.1	4.2	6.3 (120V)	6.3 (120V)	10 (120V)	10 (120V)
RPM	1,650	1,050	1,050	1500	1500	1560	1560
Motor Type	SP	SP	SP	Four Poles	Four Poles	Four Poles	Four Poles
Flue Size**	4" / 102 mm	4" / 102 mm	4" / 102 mm	4" / 102 mm	6" / 152 mm	6" / 152 mm	6" / 152 mm
Gas Connection	1/2" / 12.7 mm	1/2" / 12.7 mm	1/2" / 12.7 mm	1/2" / 12.7 mm	1/2" / 12.7 mm	1/2" / 12.7 mm	3/4" / 19 mm

Accessories

For Vertical Venting:

4 inch (102 mm) DIA. HSU50, HSU80, HSU125 & HSU200 (Optional Vent Kit Stock No. **F102848**)

6 inch (152 mm) DIA. HSU250, HSU300, & HSU400 (Optional Vent Kit Stock No. **F102849**)

For Horizontal Venting/Stainless Steel

(Required Category III:

4 inch (102 mm) DIA. HSU50, HSU80, HSU125 & HSU200

• 4 inch (102 mm) Vent Kit: Stock No. **F102860**

6 inch (152 mm) DIA. HSU250, HSU300, & HSU400

• 6 inch (152 mm) Vent Kit: Stock No. **F102861**

Thermostat:

• 24-Volt Thermostat: Stock No. **10371**

Fuel Conversion Kits

F260164

Converts Unit heater from propane to natural gas

F260163

Converts Unit heater from natural gas to propane

LP Conversion Kits included with all units

** When venting horizontal must be four-inch (102 mm) venting diameter.

† Ratings shown are for elevations up to 2,000 feet (610 m). (In Canada, refer to rating tag.) For elevations above 2,000 feet (610 m), ratings should be reduced at the rate of 4% for each 1,000 feet (305 m) above sea level or as specified by local authority having jurisdiction.

Mounting Clearances	Dimensions
Top	1" / 25 mm
Bottom	0" / 0 mm
Access Panel Side	18" / 457 mm
Non-Access Side	1" / 25 mm
Rear	18" / 457 mm
Flue	6" / 152 mm

*The trademark HEATSTAR AG is not owned or licensed by CTB, Inc. and is the sole property of ENERCO Group Inc.

