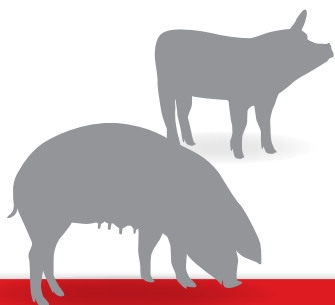




PIT FANS

EFFICIENT VENTILATION
FOR MANURE PIT AND BARN

- › Aids barn ventilation
- › Corrosion-resistant
- › Easy to clean and maintain



PIT FANS

Chore-Time Pit Fans help to move air through the manure pit and the barn for better animal comfort and a more balanced barn environment. Proper manure pit ventilation helps to prevent manure gases from being drawn into the animal area, reduces odor levels and supports uniform air movement in the barn.



Aids uniform barn ventilation

- › Works with Chore-Time's 18- and 24-inch (457- and 610-mm) diameter shutter or cone style TURBO® Fans.
- › Helps to keep manure gases out of the animal area.
- › Works with the barn's ventilation system to assist with uniform air movement.
- › Chore-Time's louver shutters are available in an aerodynamic "belled" style frame for greater air-moving efficiency or a flat frame model for flush mounting of the shutters.
- › Louvers' flexible edge helps to provide a backdraft seal for the fan's opening when the fan is not operating.

Corrosion-resistant

- › Chore-Time Pit Fans are designed to withstand harsh pit environments as well as all weather conditions throughout the year.
- › Fans feature a tough glass fiber composite housing.
- › Stainless steel or cast-aluminum blades.
- › Durable plastic enclosure is used for the fan's weather hood.

Use PigTek's HERO™ Pit Fan with Chore-Time's PigCentral™ Control

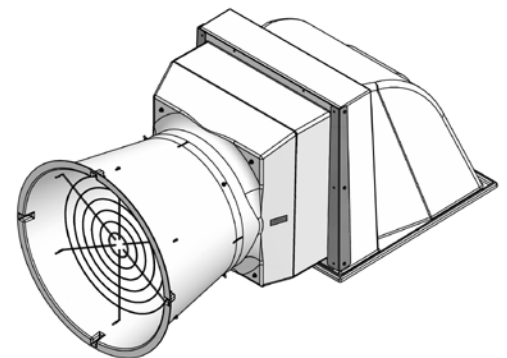
- › Control energy consumption
- › Collect fan performance data
- › Optimize barn ventilation
- › Provide total house environmental control

Easy to clean and maintain

- › Cone and shutter fan housings are easy to clean.
- › Shutter louvers feature smooth finish that is easy to clean.
- › Corrosion-proof vinyl is used for the louver frame and the louvers use fiberglass rod hinges.

Pit Transitions

- › Transitions are available in plenum or housing styles with bolt-on, slide-in or hinge options for attaching the fan.
- › Pit transitions help to minimize condensation and mix air for more even temperatures.
- › Long-lasting one-piece construction.



Chore-Time Pit Fan with cone



PigTek HERO™ Pit Fan with Variable Frequency Drive (VFD) and Transition

